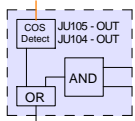


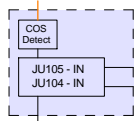
VE6NHB Motorola MSR2000 VHF Repeater Wiring

© Barry Sloan - VE6SBS

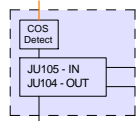
Page 1 of 2



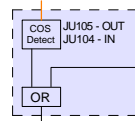
COS ONLY with 'PL DISABLE' OFF
OR
COS OR PL with 'PL DISABLE' ON



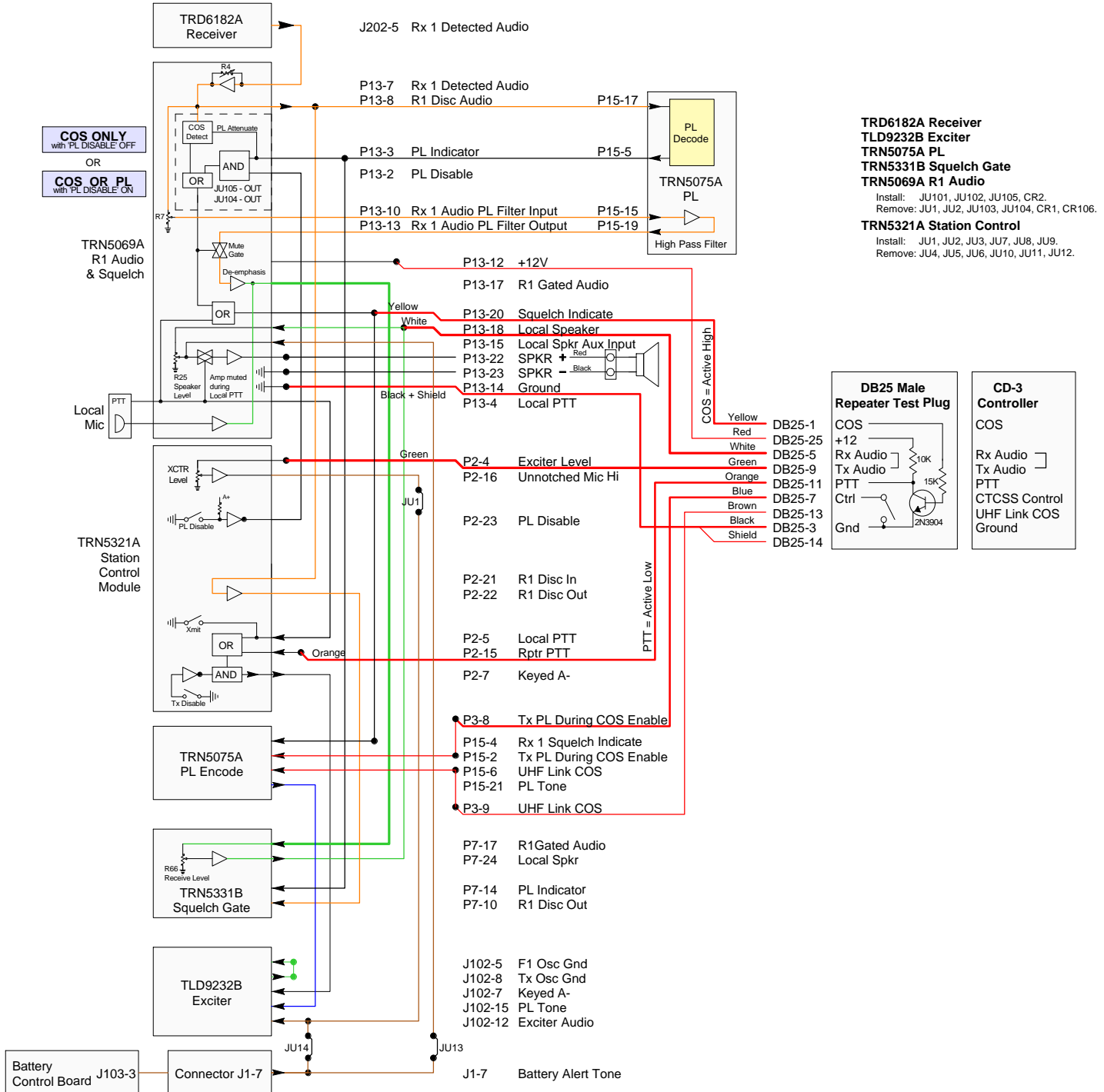
PL ONLY with 'PL DISABLE' OFF
OR
COS OR PL with 'PL DISABLE' ON



COS AND PL with 'PL DISABLE' OFF
OR
COS OR PL with 'PL DISABLE' ON



PL OR COS
'PL DISABLE' switch has no effect

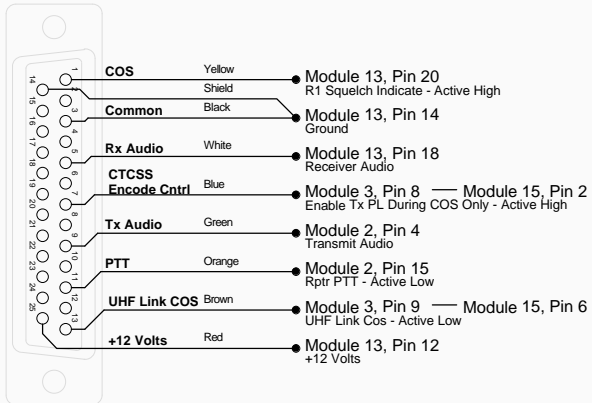


TRD6182A Receiver
TLD9232B Exciter
TRN5075A PL
TRN5331B Squelch Gate
TRN5069A R1 Audio
Install: JU101, JU102, JU105, CR2.
Remove: JU1, JU2, JU103, JU104, CR1, CR106.

TRN5321A Station Control
Install: JU1, JU2, JU3, JU7, JU8, JU9.
Remove: JU4, JU5, JU6, JU10, JU11, JU12.

VE6NHB Motorola MSR2000 VHF Repeater Wiring

Backplane Jumpers and Wiring



DB-25 Female Rear View

